



Liquid Removal & Vapor Condensing

www.solbergmfg.com

Note: Please read the maintenance instructions given by the OEM for the machinery first. The OEM's manual should be adhered to in order to protect the equipment. Solberg Manufacturing, Inc has made every effort to make sure that these instructions are accurate but is not responsible for any typos, slight variations or for human errors that may occur.

Solberg Manufacturing, Inc., 1151 Ardmore Itasca, IL 60143 USA
Ph: 630.773.1363 Fax: 630.773.0727 Email: sales@solbergmfg.com Web: www.solbergmfg.com

Maintenance Manual

Liquid Removal & Vapor Condensing

CONTENTS

Section A

Introduction pg. 3

Section B

General Information

1. Identification of Solberg Liquid Removal Systems pg. 3
2. Identification of Solberg Vacuum Filters/Condensers..... pg. 4
3. Filtration Rules of Thumb pg. 5
4. Element Specifications..... pg. 7
5. Element Cleaning..... pg. 8
6. Installation..... pg. 9

Section C

Maintenance Recommendations..... pg. 10

Section D

Replacement Parts List

1. JCT Series pg. 11
2. JST Series pg. 15
3. STS Series..... pg. 17
4. LRS Series..... pg. 21
5. TKO/SKP/KDL/LKS/SLS/KOS pg. 22

**For Further Information Please Call: 630-773-1363*



Section A

INTRODUCTION

The purpose of this manual is instruction on the proper assembly and care of Solberg inlet air filters, and vacuum filters/condensers.

WARNING

This manual must be read and thoroughly understood before using and caring for this air filter. Failure to comply could result in explosion, product/system contamination or personal injury.

This manual should be used as a supplement to the user's understanding of the proper care needed to maintain a safe and dependable vacuum filter. It is the responsibility of the user to interpret and explain all instructions to persons who do not read or understand English BEFORE they are allowed to maintain and use this separator.

This manual should be readily available to all operators responsible for operation and maintenance of the liquid separator.

We thank you for selecting products from Solberg Manufacturing, Inc. We are confident that our superior filter designs will meet your application requirements.

Section B

GENERAL INFORMATION

1. Identification of Solberg Integrated Liquid Separators: LRS, STS

All Solberg LRS units should have an identification label/nameplate that gives the following information:

**Assembly Model #
Replacement Element #**

All Solberg STS units should have an identification label/nameplate that gives the following information:

Assembly Model #

(The exception is OEM supplied units. In this case, please enter the OEM part numbers in Table 1.)

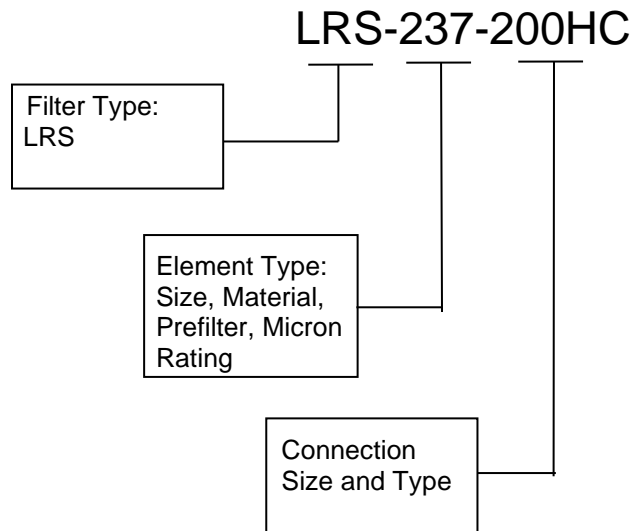


Fill in the actual nameplate data from your new Solberg unit(s) in the table below:

No.	Model Number	Replacement Element	Initial Delta P Readings
1			
2			
3			
4			
5			

Table 1

The model number designates the filter type, the original element configuration and housing connection size. For example, the following part number identifies the filter as being a 'LRS' design filter with a 237 element and 2" NPSC half coupling connection size:



2. Identification of Solberg Vacuum Filters/Condensers: JCT, JST

All Solberg vacuum filters/condensers should have an identification label/nameplate that gives the following information:

Assembly Model #
Replacement Condenser Fin Pack #
Replacement Demister #

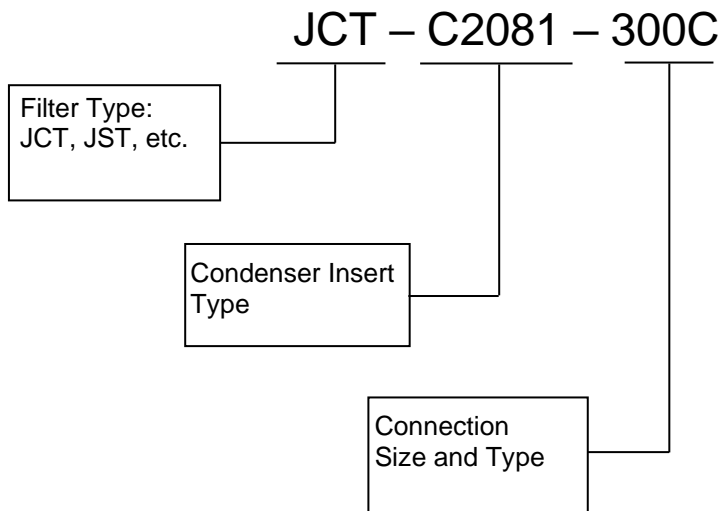
(The exception is OEM supplied units. In this case, please enter the OEM part numbers in Table 2.)

Fill in the actual nameplate data from your new Solberg vacuum filter(s)/condenser(s) in the table below:

No.	Filter Model Number	Replacement Condenser Fin Pack	Replacement Demister Pad
1			
2			
3			
4			
5			

Table 2

The model number designates the filter type, the internal configuration, and housing connection size. For example, the following part number identifies the filter as being a 'JCT' design filter with a condenser insert and 3" FPT coupling connection:



3. Filtration Rules of Thumb

General: For peak output performance from a compressor, blower, vacuum pump, engine, or any other machine that consumes air, one must have clean, unrestricted air. Proper filtration can help stabilize the working environment within rotating equipment even when the external conditions may be quite severe. A critical component in creating the right working conditions is filter sizing. With the properly sized filter, equipment will run smoothly over its entire expected operating life.

A major factor in filtration and filter sizing is air velocity through the filter media. Generally, the slower the velocity of air through a media the higher the filter efficiency and, conversely, the lower the pressure drop. Therefore, the primary goal in filter sizing is to optimize the velocity of air through the media (sometimes called face velocity).



Rule of Thumb #1: Always begin with the filter cartridge requirements when sizing a filter. Once the appropriate element has been selected, move on to the housing requirements.

Rule of Thumb #2: Always ask or specify a filter based on a micron rating *with filtration efficiencies*. As an example, stating a requirement for a 1-micron filter is misleading because no efficiency rating has been specified. A 1-micron filter at 95% efficiency may be less efficient than a 5-micron filter at 99% efficiency. For proper air system performance in light and industrial duty environments, a filter with a minimum of 99% filtration efficiency at 5 microns is required.

Rule of Thumb #3: Size your filter correctly by understanding the impact air velocity through a media has on efficiency and pressure drop. Maintain the suggested Air-to-Media ratios listed below based on the external environment listings and Filtration efficiency needs.

Filtration Efficiency Requirements (99%+ efficiency)	Environmental Conditions	Air to Media Ratio	
<i>Industrial Grade 2-micron Paper</i>	Industrial Duty (clean, office/warehouse-like)	30 CFM/ft ²	(549m ³ /h)/m ²
	Severe Duty (workshop, factory-like)	15 CFM/ft ²	(274.5m ³ /h)/m ²
	Extreme Duty (Foundry, Construction-like)	10 CFM/ft ²	(183m ³ /h)/m ²
<i>Industrial Grade 5-micron Polyester</i>	Industrial Duty (clean, office/warehouse-like)	65 CFM/ft ²	(1189.5m ³ /h)/m ²
	Severe Duty (workshop, factory-like)	40 CFM/ft ²	(732m ³ /h)/m ²
	Extreme Duty (Foundry, Construction-like)	25 CFM/ft ²	(457.5m ³ /h)/m ²
<i>Industrial Grade 1-micron Polyester</i>	Severe Duty (Foundry, Construction-like)	25 CFM/ft ²	(457.5m ³ /h)/m ²
<i>Industrial Grade 0.3-micron HEPA Glass @ 99.97% Efficiency</i>	Industrial Duty (Pre-filtered Applications)	9 CFM/ft ²	(164.7m ³ /h)/m ²
	Severe Duty (workshop, factory-like)	7 CFM/ft ²	(128m ³ /h)/m ²
	Extreme Duty (Foundry, Construction-like)	5 CFM/ft ²	(91.5m ³ /h)/m ²

Table 3



Rule of Thumb #4: Pressure drop is also caused by the dirt holding capacity of the element. As the element fills up with dirt, the pressure drop increases. It is important to document the pressure drop across a given filter when it is new and then clean or replace it when the pressure drop increases by 10" to 15" / 250-280mm H₂O over the original reading.

Rule of Thumb #5: The inlet connection greatly influences the overall pressure drop of the filter system. To minimize the restriction contributed by an inlet filter, a velocity of 6,000 ft/min (10200m³/h) or less is suggested through the outlet pipe. The table below lists the suggested flows based on pipe size:

Pipe Size (inches)	Max Airflow		Pipe Size (inches)	Max Airflow		Pipe Size (inches)	Airflow	
1/4"	6 CFM	10m ³ /h	1 ½"	80 CFM	136m ³ /h	6"	1,100 CFM	1870m ³ /h
3/8"	8 CFM	14m ³ /h	2"	135 CFM	230m ³ /h	8"	1,800 CFM	3060m ³ /h
1/2"	10 CFM	17m ³ /h	2 ½"	195 CFM	332m ³ /h	10"	3,300 CFM	5610m ³ /h
3/4"	20 CFM	34m ³ /h	3"	300 CFM	510m ³ /h	12"	4,700 CFM	7990m ³ /h
1"	35 CFM	60m ³ /h	4"	520 CFM	884m ³ /h	14"	6,000 CFM	10200m ³ /h
1 ¼"	60 CFM	102m ³ /h	5"	800 CFM	1360m ³ /h			

Table 4 *Note: This information is for general use only. A qualified engineer must properly design each system.

4. Element Specifications

Temperature Range: -15° to 220°F / -26° to 105°C

Filter Change-Out Differential: 10" to 15" / 250-380mm H₂O Over Initial Delta P

Media	Micron Rating
Standard Paper	99+% @ 2 micron
Standard Polyester	99+% @ 5 micron
"S" Series Wire Mesh	Epoxy Coated Wire Mesh
"Z" Series Polyester	99+% @ 1 micron
"HE" Series HEPA	99.97% @ 0.3 microns
"U" Series Polyester	99+% @ 25 micron
"W" Series Polyester	99+% @ 100 micron
"S2" Series	Stainless Steel Wire Mesh
"AC" & "ACP" Series	N/A
"Y" Series Polypropylene	99+% @ 10 micron

Table 5

Temperature Range: -15° to 385°F / -26° to 196°C

Filter Change-Out Differential: 10" to 15" / 250-380mm H₂O Over Initial Delta P

Media	Micron Rating
"MX" & "MXD" Series – Nomex Cloth	99+% @ 10 micron

Table 6



5. Element Cleaning - Inlet Filtration

Solberg elements should be cleaned or replaced, once the pressure drop reaches 10 to 15-inches water column (250 - 380mm WC) above the initial pressure drop of the installation.

The decision to clean the element rather than replace it is left to the discretion of the operator. Any damage which results from by-pass or additional pressure drop created by element cleaning is the sole responsibility of the operator.

WARNING

The overall performance of a filter element is altered once cleaned.

The initial pressure drop after cleaning will be greater than the original, clean pressure drop of the element.

After each subsequent cleaning, the initial pressure drop will continue to increase.

Under all circumstances, the initial pressure drop of the element needs to be maintained at less than 15-inches water column (380mm WC).

Cleaned elements that exceed 15-inches water column (380mm WC) at start-up should be replaced with new elements.

With many types of equipment, the maximum pressure drop allowed will be dictated by the ability of the equipment to perform to its rated capacity. Under all circumstances, the operator should avoid exceeding the manufacturer's recommended maximum pressure drop for their specific equipment.

- A. **Polyester Element.** The polyester element may be washed in warm soapy water, vacuumed, gently blown out or replaced. The element should be dry before reinstallation. The element should be replaced after a maximum of three cleanings.
- B. **Paper Element.** The paper element may be lightly blown with low pressure air. It is disposable and in most cases should be replaced with a new element.

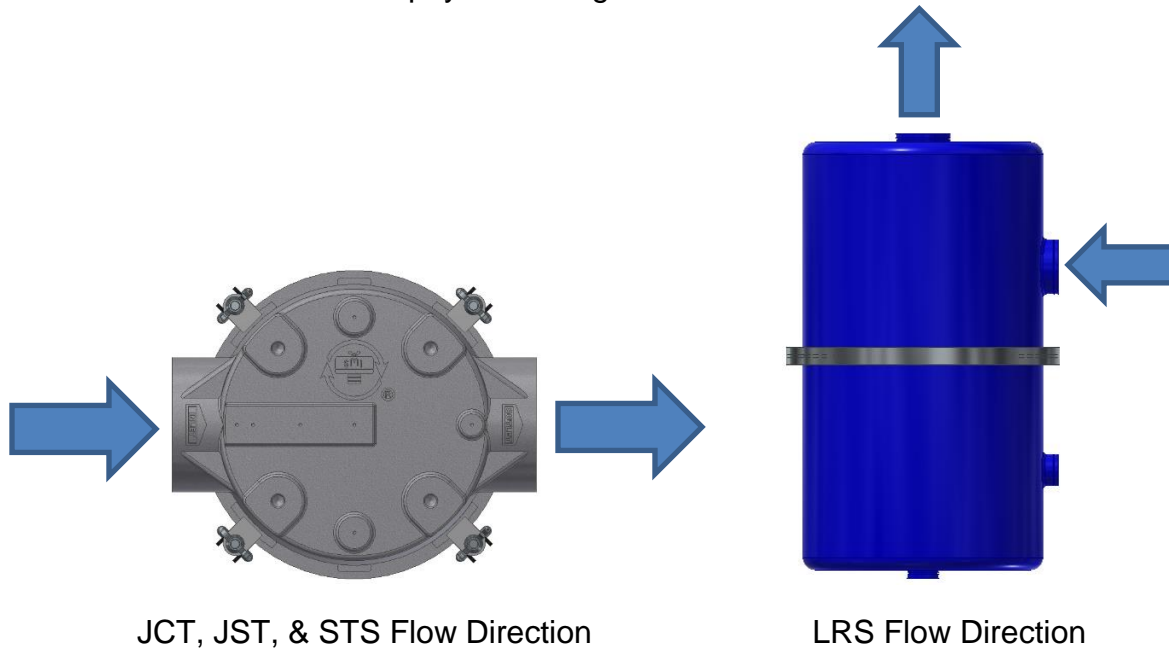


- C. **Polyurethane Prefilter:** The prefilter may be washed as a sponge or replaced to give the element a longer service life.
- D. **Epoxy Coated Wire Mesh and Stainless Steel Wire Mesh Elements:** Cleaning instructions similar to polyester, except mild solvents may be used.
- E. **Activated Carbon Element:** Not cleanable
- F. **Polypropylene Element:** Cleaning instructions similar to polyester
- G. **Nomex Cloth Element:** Cleaning instructions similar to polyester
- H. **Condenser Fin Pack and Demister Pad:** Check Safety Data Sheet (SDS) of collected material for compatible cleaning solutions.

If you are not confident that the integrity of the element was maintained during cleaning, it is recommended that a new element be installed. Also, spare parts such as gaskets, wing nuts and washers can be supplied upon request.

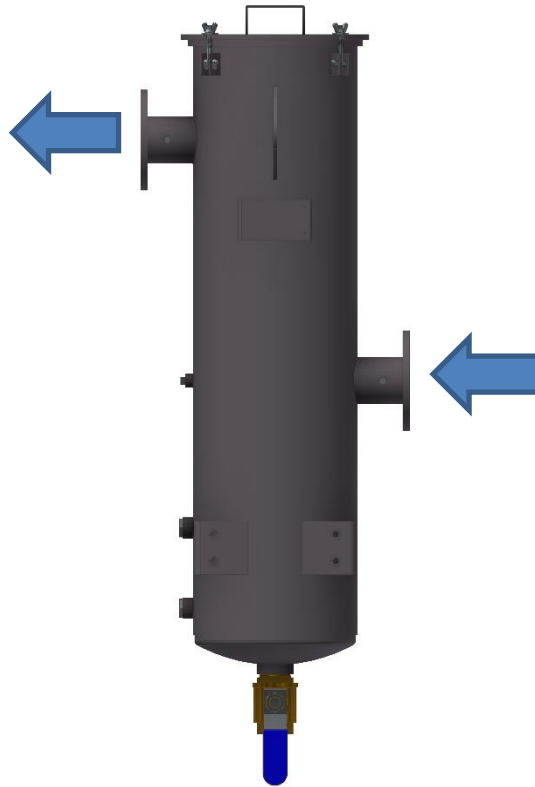
6. Installation.

The drawing of the filter should be referenced before installation in order to ensure the unit is installed properly. The inlet and outlet should be identified on the unit as a label or as a physical design feature of the unit.



JCT, JST, & STS Flow Direction

LRS Flow Direction



TKO/SKP/KDL/LKS/SLS/KOS Flow Direction

Section C

MAINTENANCE RECOMMENDATIONS

1. Pressure drop readings are recommended to have an effective air filter. Always document initial pressure drop during start-up when element is clean. Replacement cartridge is needed when system experiences 10" to 15" / 250-380mm H₂O above drop above the initial reading. Refer to page 4 for initial values.
2. Always check replacement cartridge gaskets to ensure they are adhered uniformly along the end caps during handling. If not, contact Solberg Manufacturing, Inc. immediately. Do not modify or change from Solberg specified parts!
3. Always check inlets/outlets, element base and its components when replacing element to ensure cleanliness. Wipe clean if necessary.
4. Operate only when a proper seal exists.
5. Never operate an LRS unit without absolute assurance that V-band is secured correctly along entire diameter of canisters. Check along V-band for wear. Replace if any distortion occurs due to handling and usage.

Page 10

Solberg Manufacturing, Inc., 1151 Ardmore Itasca, IL 60143 USA
Ph: 630.773.1363 Fax: 630.773.0727 Email: sales@solbergmfg.com Web: www.solbergmfg.com

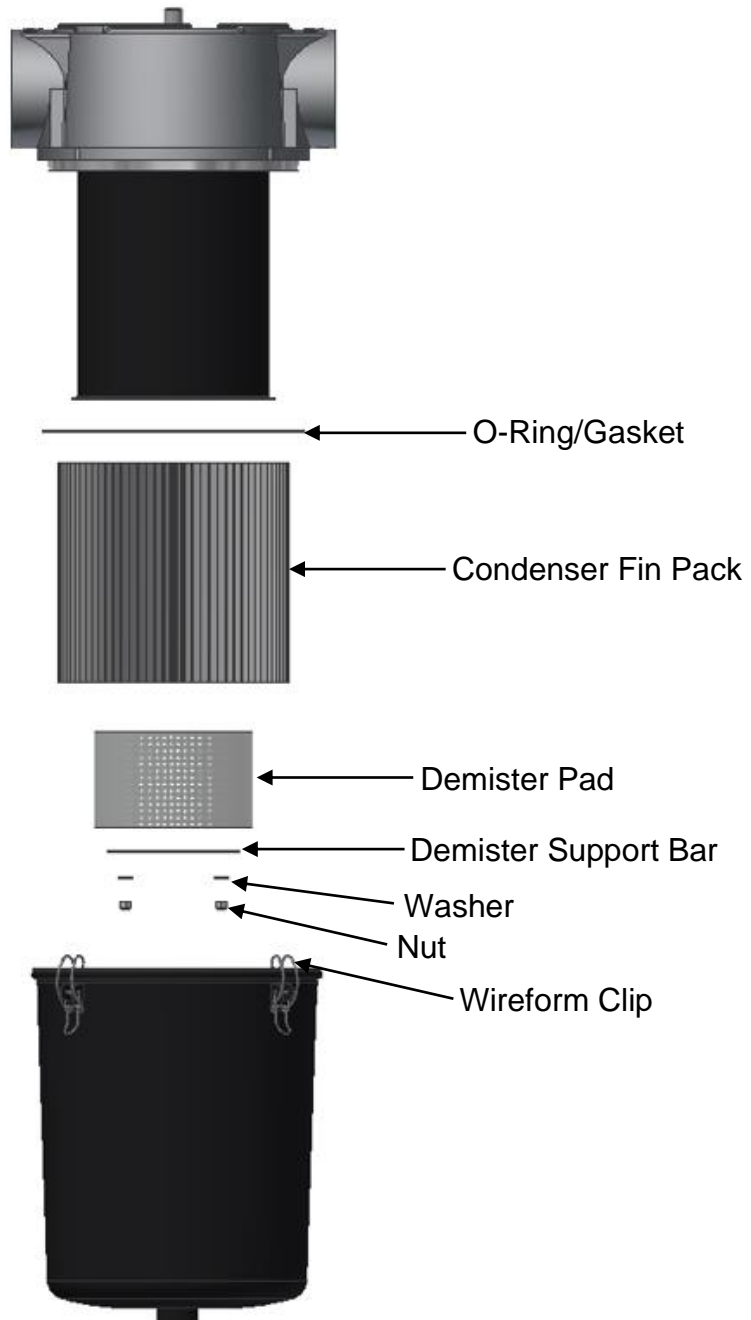


SOLBERG

Section D

REPLACEMENT PARTS LIST:

1. JCT Series

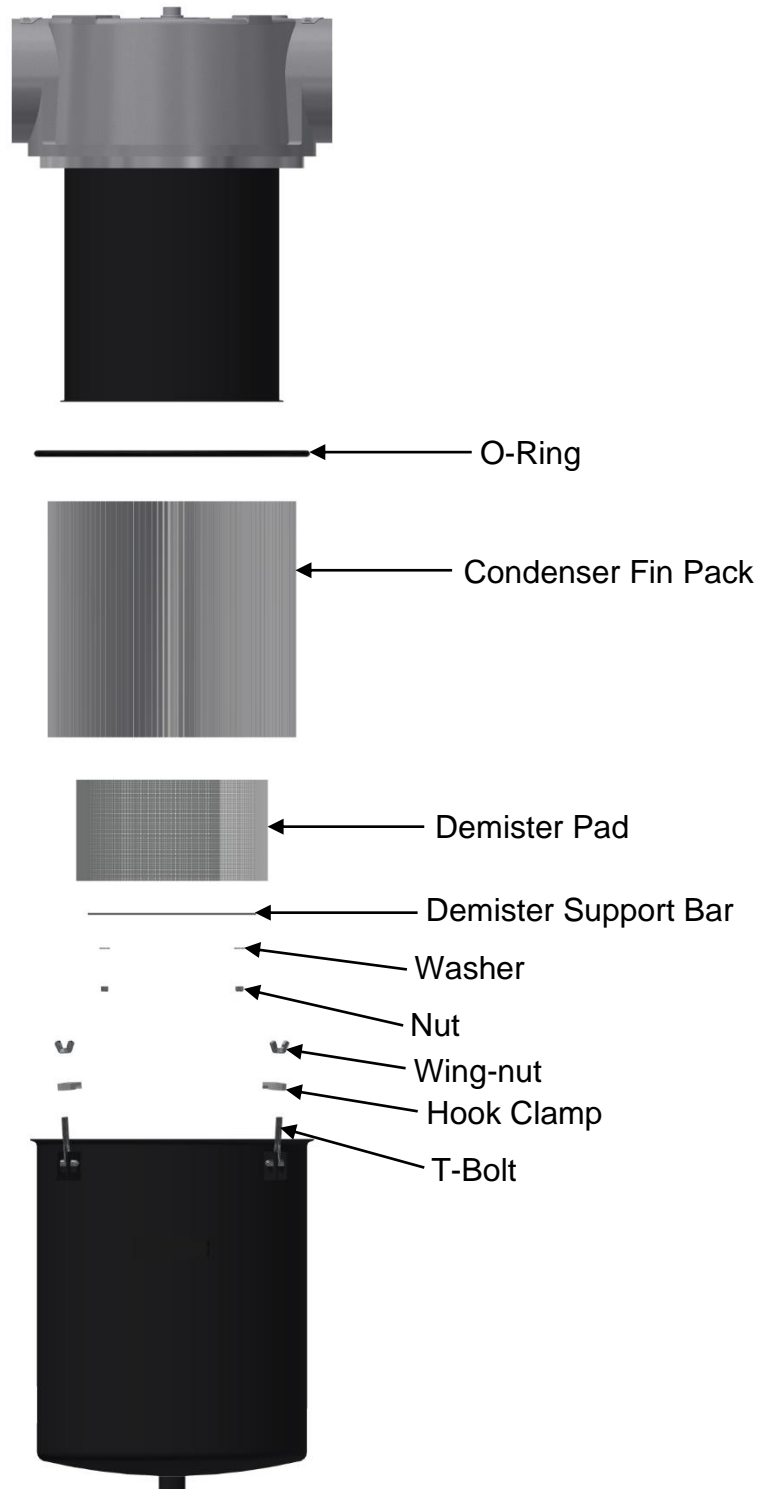


JCT Series 2" – 4" "T" Style Vacuum Filter/Condenser
Available Replacement Parts

Available Replacement Part by Product Number				
Product #	O-Ring/ Gasket	Condenser Fin Pack	Demister Pad	Demister Support Bar
JCT-C2048-XXX	9241260	CSA0000043	P03000010	CSA0000040+10
JCT-C2081-XXX	9112900	CSA0000036	P03000066	CSA0000034+10
JCT-C3123-XXX	9112900	CSA0000051	P03000066	CSA0000034+10

Available Replacement Part by Product Number Continued			
Product #	Washer	Nut	Wireform Clip
JCT-C2048-XXX	5000025	5002020	5080110+36
JCT-C2081-XXX	5000025	5002020	5080110+36
JCT-C3123-XXX	5000025	5002020	5080110+36





JCT Series 5" – 6" "T" Style Vacuum Filter/Condenser
 Available Replacement Parts

Page 13

Solberg Manufacturing, Inc., 1151 Ardmore Itasca, IL 60143 USA
 Ph: 630.773.1363 Fax: 630.773.0727 Email: sales@solbergmfg.com Web: www.solbergmfg.com



Available Replacement Part by Product Number

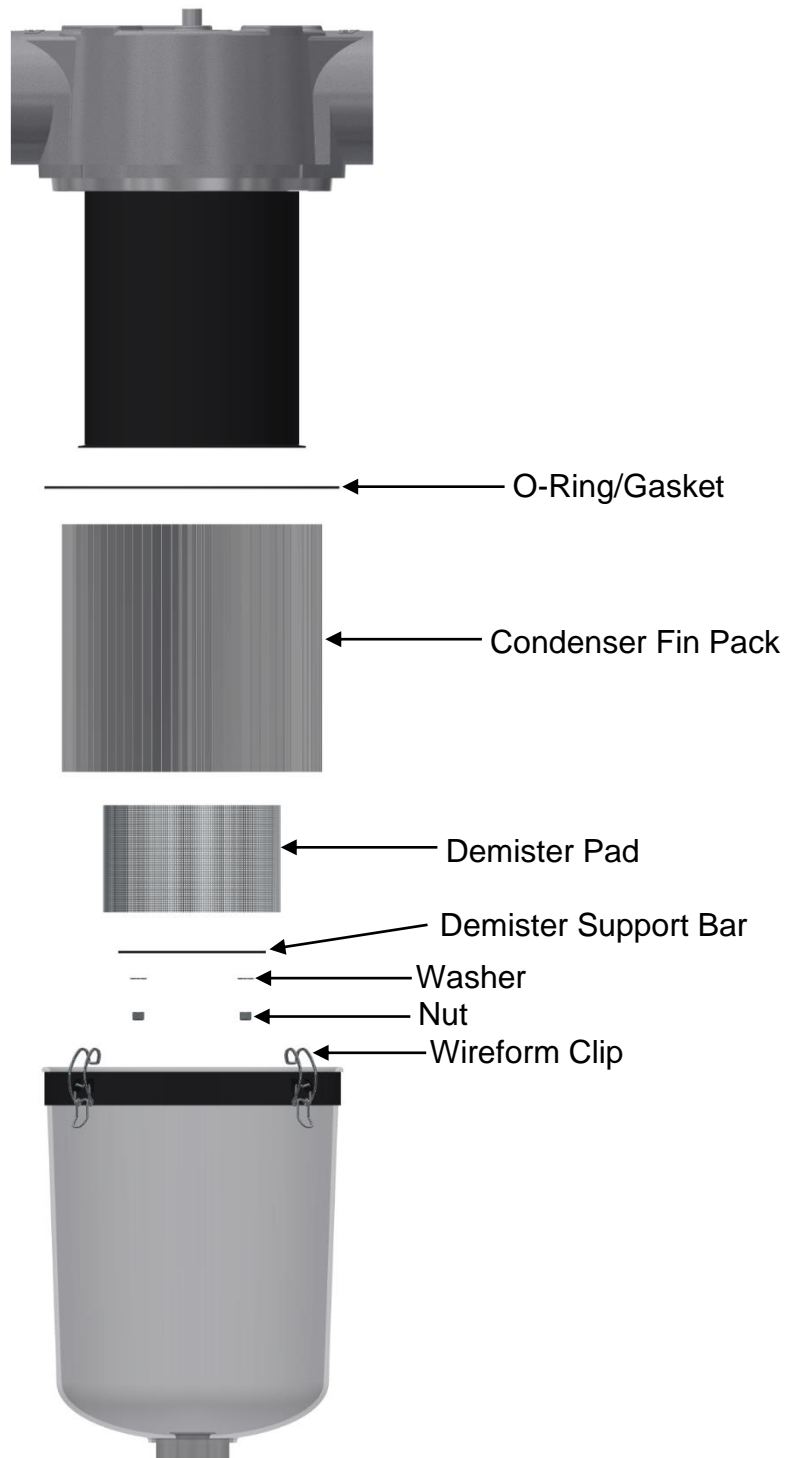
Product #	O-Ring	Condenser Fin Pack	Demister Pad	Demister Support Bar
JCT-C3226-XXX	9241760	CSA0000459	P03000005	CSA0000291+10

Available Replacement Part by Product Number Continued

Product #	Washer	Nut	T-Bolt	Hook Clamp	Wing-Nut
JCT-C3226-XXX	5000025	5002020	5011725	5081500	5030600



2. JST Series



JST Series 2" – 4" "T" Style Vacuum Filter/Condenser
Available Replacement Parts

Page 15

Solberg Manufacturing, Inc., 1151 Ardmore Itasca, IL 60143 USA
Ph: 630.773.1363 Fax: 630.773.0727 Email: sales@solbergmfg.com Web: www.solbergmfg.com

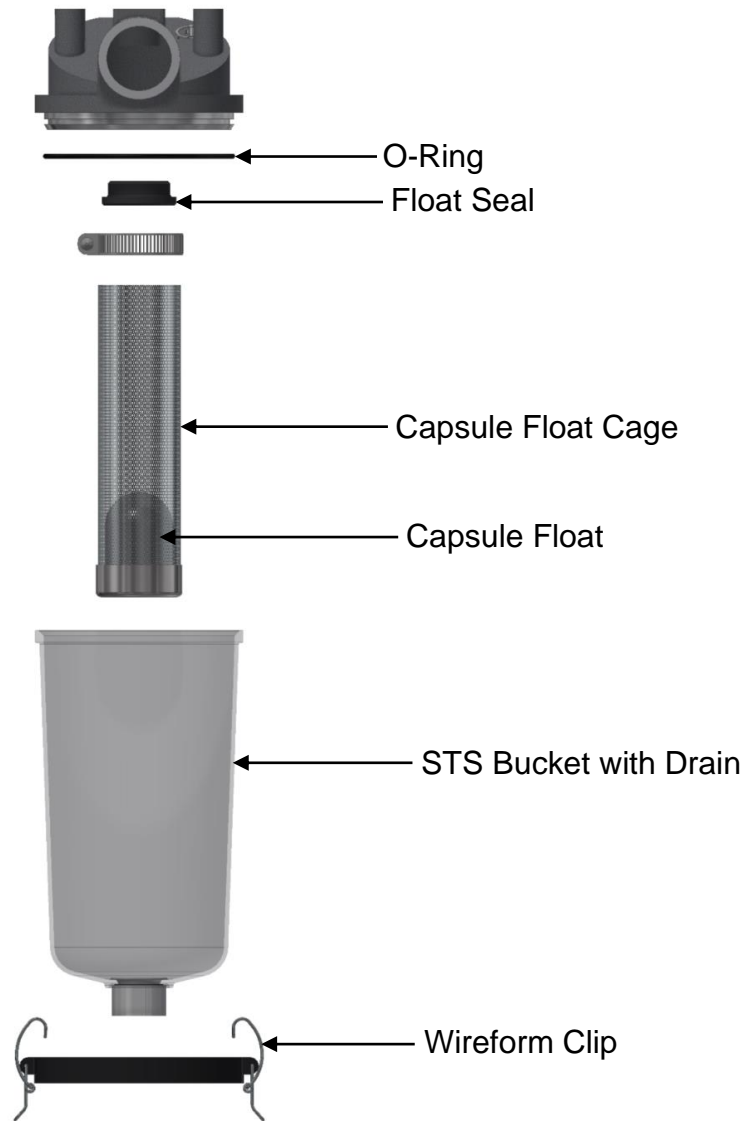


Available Replacement Part by Product Number				
Product #	O-Ring/ Gasket	Condenser Fin Pack	Demister Pad	Demister Support Bar
JST-C2048-XXX	9241260	CSA0000043	P03000010	CSA0000040+10
JST-C2081-XXX	9112900	CSA0000036	P03000066	CSA0000034+10

Available Replacement Part by Product Number Continued			
Product #	Washer	Nut	Wireform Clip
JST-C2048-XXX	5000025	5002020	5080110+36
JST-C2081-XXX	5000025	5002020	5080110+36

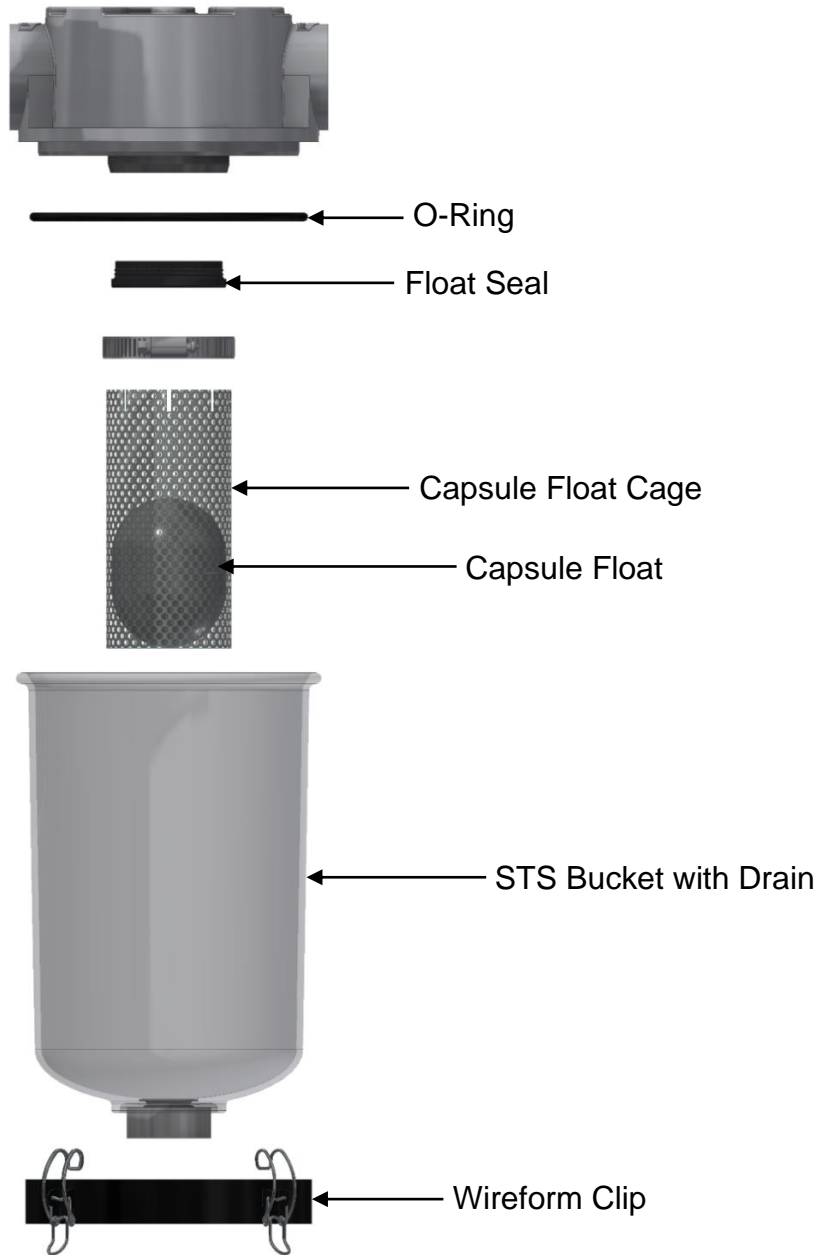


3. STS Series



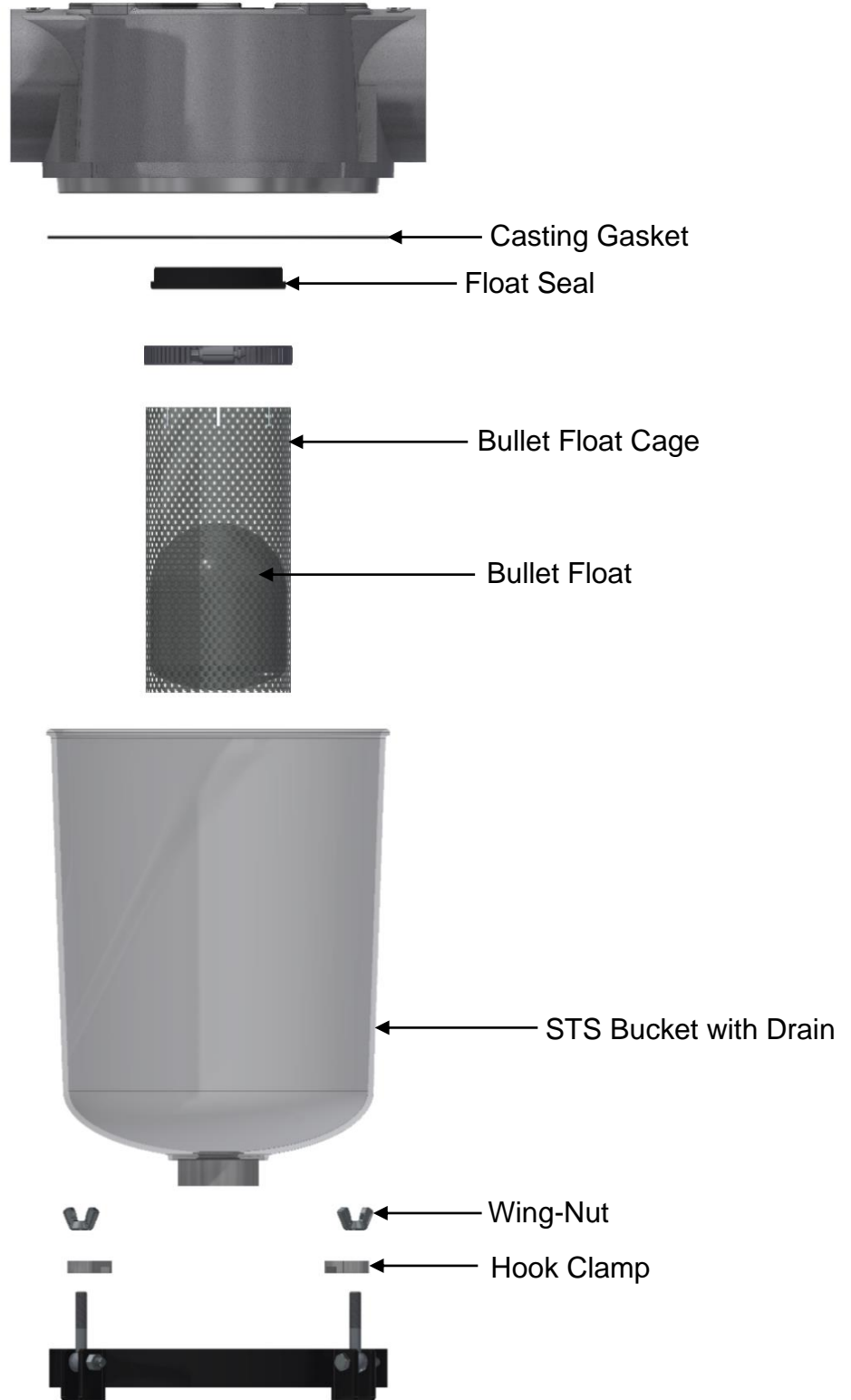
STS Series 1" – 1 1/2" "T" Style Liquid Separator
Available Replacement Parts

Available Replacement Part by Product Number						
Product #	Capsule Float	Capsule Float Cage	O-Ring	STS Bucket	Wireform Clip	Float Seal
STS-100C	9919404	302-6020300	9262K375	KIT0001306	5080110+36	P20015354
STS-125C	9919404	302-6020300	9262K375	KIT0001306	5080110+36	P20015354
STS-150C	9919404	302-6020300	9262K375	KIT0001306	5080110+36	P20015354



STS Series 2" – 2 1/2" "T" Style Liquid Separator
Available Replacement Parts

Available Replacement Part by Product Number						
Product #	Capsule Float	Capsule Float Cage	O-Ring	STS Bucket	Wireform Clip	Float Seal
STS-200C	9919406	6810600	9241260	KIT0001307	5080110+36	P20015355
STS-250C	9919406	6810600	9241260	KIT0001307	5080110+36	P20015355



STS Series 3" – 4" "T" Style Liquid Separator
Available Replacement Parts

Page 19

Solberg Manufacturing, Inc., 1151 Ardmore Itasca, IL 60143 USA
 Ph: 630.773.1363 Fax: 630.773.0727 Email: sales@solbergmfg.com Web: www.solbergmfg.com

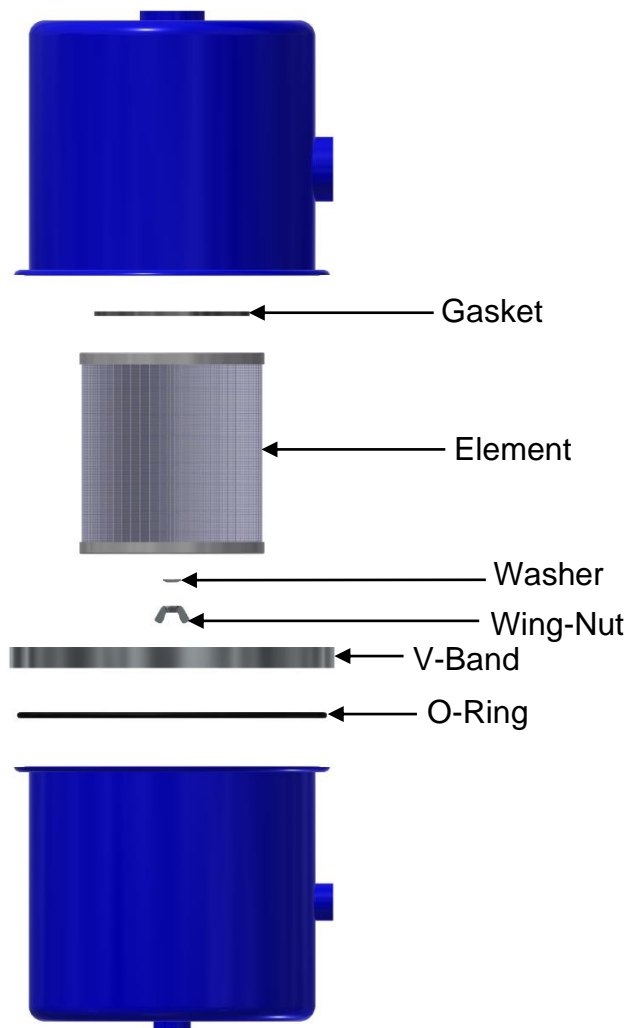


Available Replacement Part by Product Number				
Product #	Bullet Float	Bullet Float Cage	Casting Gasket	STS Bucket
STS-300C	9919403	6810610	9112900	KIT0001308
STS-400C	9919403	6810610	9112900	KIT0001308

Available Replacement Part by Product Number			
Product #	Hook Clamp	Wing-Nut	Float Seal
STS-300C	5081500	5030300	P20015356
STS-400C	5081500	5030300	P20015356



4. LRS Series

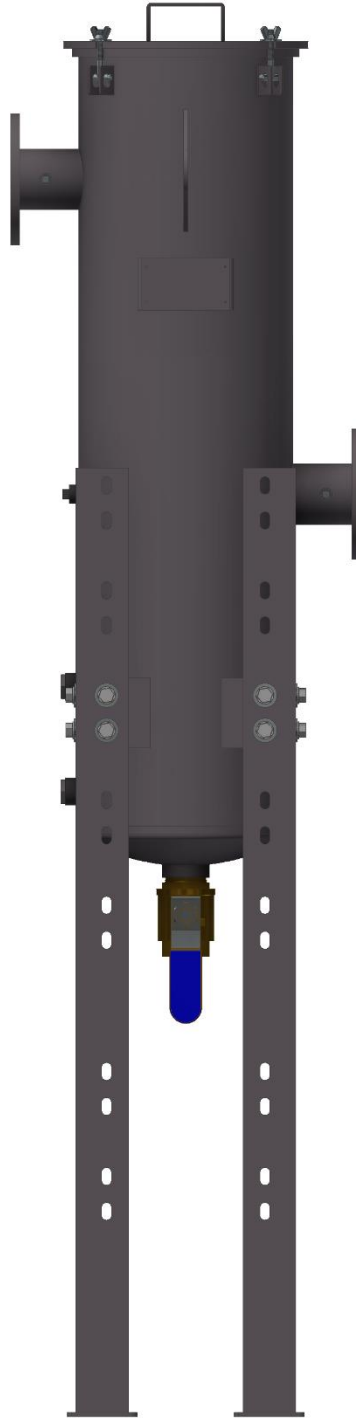


LRS Series "L" Style Integrated Liquid Separator
Available Replacement Parts

Available Replacement Part by Product Number						
Product #	Element**	Gasket	Washer	Wing-Nut	V-Band	O-Ring
LRS-19-XXX	19	N/A	5040200	5030500	5050100	9241400
LRS-237-XXX	237	9110001	5020150	5030600	5050400	9241610
LRS-275-XXX	275	9110200	5020150	5030600	5060150	9241700

****Note:** *Even element numbers are Paper elements and odd element numbers are Polyester elements.*

5. TKO/SKP/KDL/LKS/SLS/KOS



TKO/SKP/KDL/LKS/SLS/KOS Series "S" Style Integrated Liquid Separator
Contact Factory for Available Replacement Parts

Page 22

Solberg Manufacturing, Inc., 1151 Ardmore Itasca, IL 60143 USA
Ph: 630.773.1363 Fax: 630.773.0727 Email: sales@solbergmfg.com Web: www.solbergmfg.com



SOLBERG